

D63

Osram

VALVES

D63 DOUBLE DIODE

DESCRIPTION

Type D63 is an indirectly heated double diode consisting of two diodes with a common heater and separate cathodes.

The valve is interchangeable with the American type 6H6G.

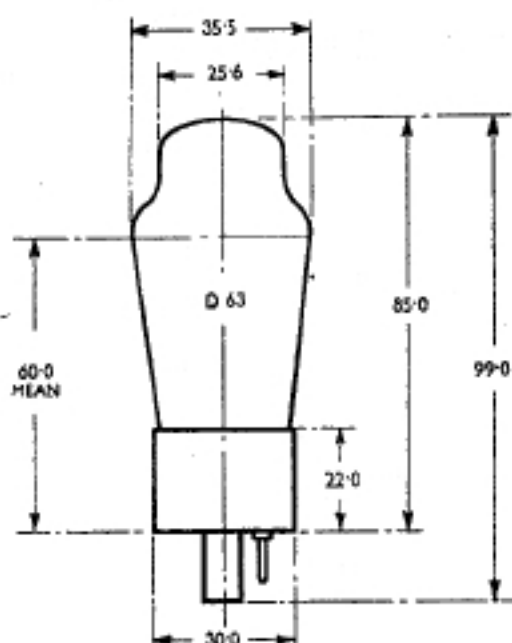
RATINGS

Heater Voltage	6.3	volts
Heater Current	0.3	approx. amp
Cathode Current (D.C.)	2	max. mA
Anode Voltage R.M.S.	100	max. volts

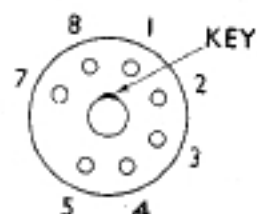
Capacitances (taken on metallised bulb):

Anode ¹ to Anode ²	0.18	approx. pF
Anode ¹ to Cathode ¹	6.0	" "
Anode ² to Cathode ²	7.0	" "

DIMENSIONS



BASE



View looking on underside of base.

7-PIN OCTAL

- 1: Metallising
- 2: Heater
- 3: Anode 2
- 4: Cathode 2
- 5: Anode 1
- 7: Heater
- 8: Cathode 1

Supplied in metallised or clear bulb.

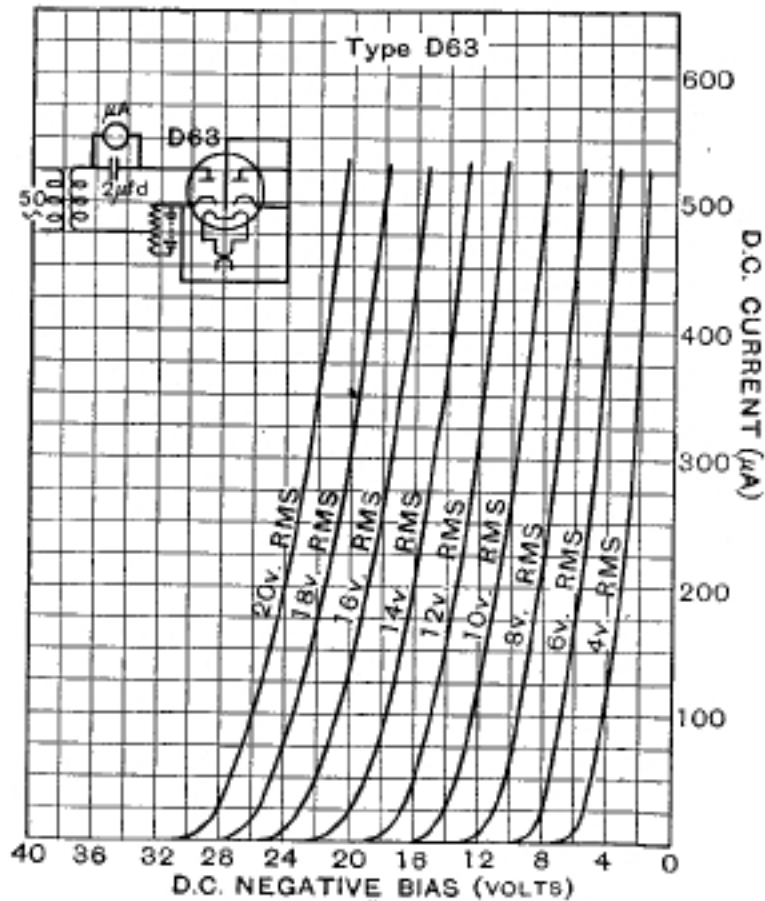
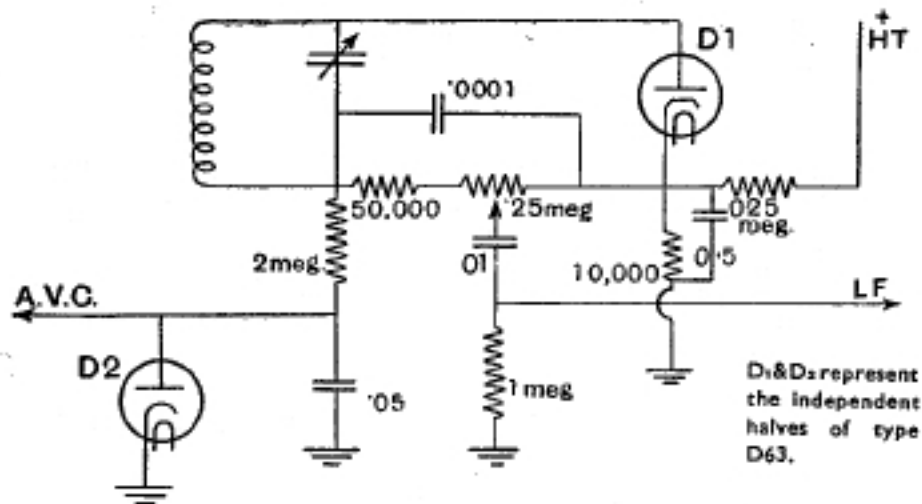
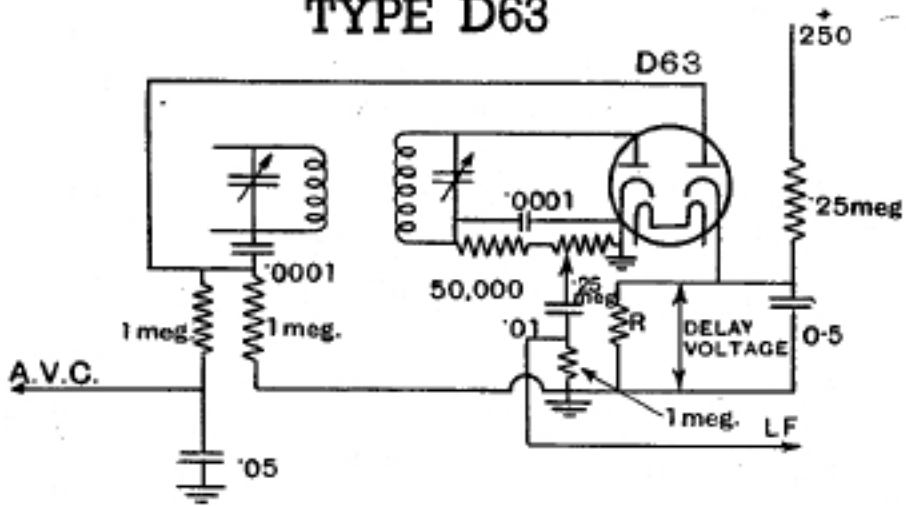
All dimensions are in mm. and are the maximum except where otherwise stated.

OPERATING CONDITIONS

Load resistance 0.25 megohm:

Anode Voltage R.M.S.	4	8	12	16	20
Average Current μ A	20	40	60	80	100

TYPE D63



CHARACTERISTIC CURVES OF AVERAGE VALVE.